



FINGER PROTECTION DEVICE FP200

Roller system finger protection

The FP200 can be fitted to most single and double action doors and is particularly suitable for automatic doors.

The FP200 provides effective protection against fingers being trapped on the hinge side of doors.

The strong fabric material, kept under constant tension covers the gap between the door and frame automatically when the door is opened.

The FP200 is available in a choice of finishes with black fabric. Other finishes are available to order - please enquire.

Additional hinge guard profiles are available to order.

TECHNICAL DATA:

Roller system specifications:

Maximum length: 1925mm (standard size)

Minimum length: 290mm

Finishes:

- White (RAL 9016)
- Silver Anodised
- Dark Bronze Anodised

Fabric Colour

- Black

FP200

Fabric colour

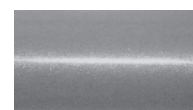


Black

FP200 Housing finish options



White powder coated
RAL 9016

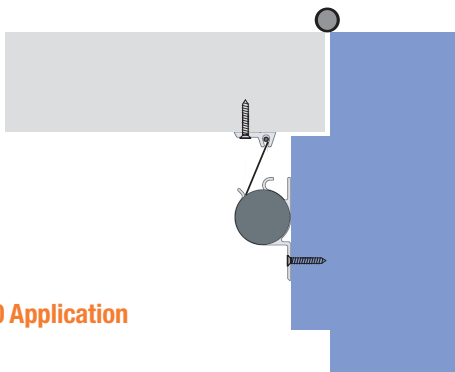


Satin silver anodised
SAA

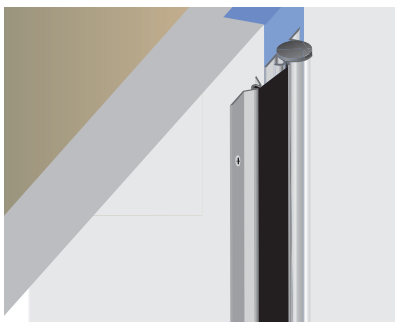


Dark bronze anodised
DBA

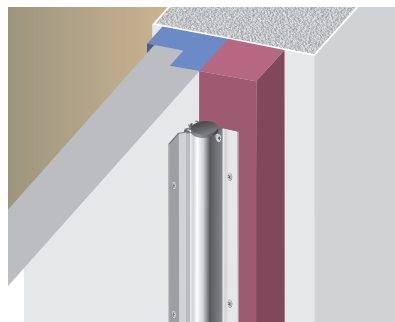
SAA finish with black fabric



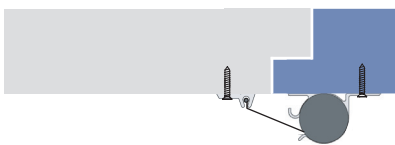
FP200 Application



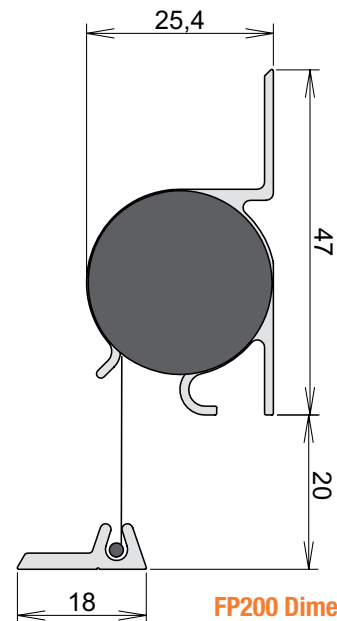
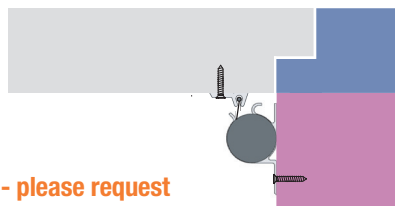
FP200 Application



FP200 Application



Alternative application drawings available - please request



FP200 Dimensions

FINGER PROTECTION DEVICE FP400

the best way to
keep it out

FINGER PROTECTION DEVICE FP400

Roller system finger protection

The FP400 can be fitted to most single and double action doors and is particularly suitable for automatic doors.

The FP400 provides effective protection against fingers being trapped on the hinge side of doors.

The strong fabric material, kept under constant tension covers the gap between door and the frame automatically when the door is opened.

The housing is designed to conceal screws when in the closed position.

The FP400 is available with additional options for the colour of fabric and individual logos if required - please enquire

TECHNICAL DATA:

Roller system specifications:

Maximum length: 1925mm (standard size)

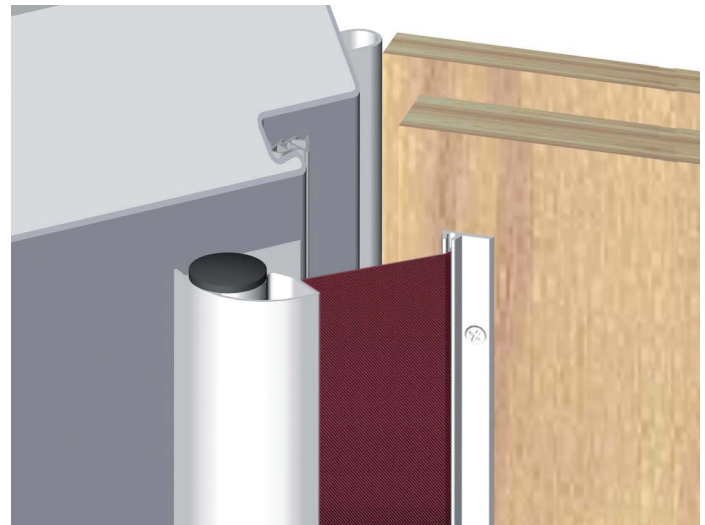
Minimum length: 290mm

Finishes:

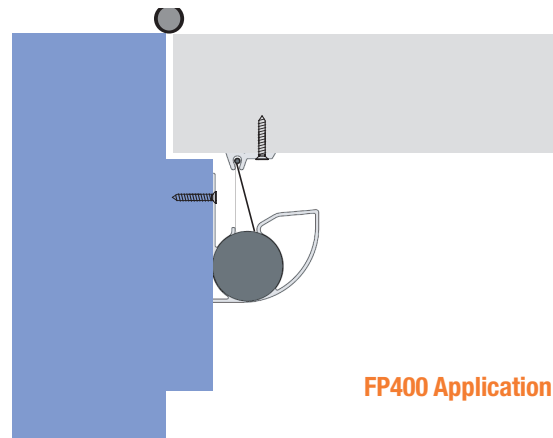
- White (RAL 9016)
- Silver Anodised
- Satin Stainless Steel
- Traffic Red (RAL 3020)
- Moss Green (RAL 6005)
- Stone Grey (RAL 7030)
- Anthracite Grey (RAL 7016)
- White Aluminium (RAL 9006)

Fabric Colour:

- Yellow / Black ■ Bordeaux / Black
- Blue / Black ■ Green / Black
- White / Black ■ Black

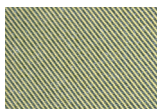


Satin stainless steel finish with bordeaux/black fabric

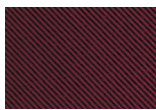


FP400 Application

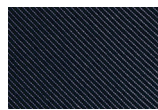
FP400 Fabric colour options



Yellow Black



Bordeaux Black



Blue Black



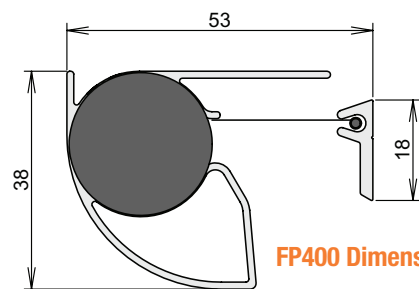
Green Black



White Black



Black

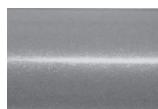


FP400 Dimensions

FP400 Housing finish options



White powder coated
RAL 9016



Satin silver anodised
SAA



Satin stainless steel
SSSP



Traffic red powder coated
RAL 3020



Moss green powder coated
RAL 6005



Stone grey powder coated
RAL 7030



Anthracite grey powder coated
RAL 7016



White aluminium powder coated
RAL 9006