

**ADJUSTABLE FRICTION RESTRAINING STAY
D7095 SURFACE MOUNTED**

the best way to
open & close



D7095-01-14

EXTRUSION WITH END CAPS



D7095 ADJUSTABLE FRICTION RESTRAINING STAY Surface Mounted

Application:

Suitable for use with Timber, Steel and Aluminium windows or light doors. Easy to fit - surface mounted onto door face.

Description:

Allows opening between 90° - 100° depending on positioning of head fixing plate and extrusion.

Material:

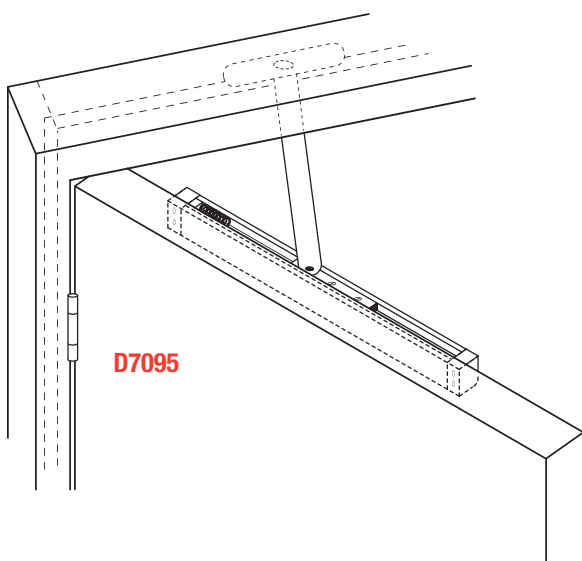
Aluminium extruded channel with steel arm and fixing plate. Nylon friction block with adjustment mechanism - strong buffer spring. Grey ABS end caps for SAA extrusion. Black ABS end caps available for plated extrusion models.

Finishes:

D7095-01-57 SAA extrusion with Zinc/yellow passivated arm
D7095-01-35 SAA extrusion with Bright chrome plated arm
D7095-01-43 SAA extrusion with Brass plated arm
D7095-01-14 SAA extrusion with Satin stainless steel plated arm
D7096-01-35 Bright chrome plated extrusion and arm
D7096-01-43 Brass plated extrusion and arm
D7096-01-14 Satin stainless steel plated extrusion and arm
D7096-01-63 Bronze plated extrusion and arm
RAL colours by quotation only

Sizes:

Standard length = 513mm overall (extrusion 485mm - can be reduced by 25mm maximum)



Strand Hardware Limited, Strand House, Long Street,
Premier Business Park, Walsall, West Midlands WS2 9DY.
Tel: 01922 639111 Fax: 01922 626025
Email: info@strandhardware.co.uk
www.strandhardware.co.uk



FRICION MORTICE RESTRAINING STAY D6095



D6095-01 ADJUSTABLE FRICION MORTICE RESTRAINING STAY - 495 VERSION

D6095-02 ADJUSTABLE FRICION MORTICE RESTRAINING STAY - 395 VERSION

Application:

Suitable for use with Timber, PVC-U and Aluminium windows or light doors. Morticed into top edge of door.

Description:

Allows opening between 70° - 110° depending on positioning of head fixing plate and channel. Some PVC-U profiles may require a packer to support arm fixing plate.

Material:

Aluminium extruded channel with steel arm and fixing plate. Nylon friction block with adjustment mechanism - strong buffer spring.

Finishes:

D6095-01-57 or D6095-02-57 SAA extrusion with Zinc/yellow passivated arm

D6095-01-35 or D6095-02-35 SAA extrusion with Bright chrome plated arm

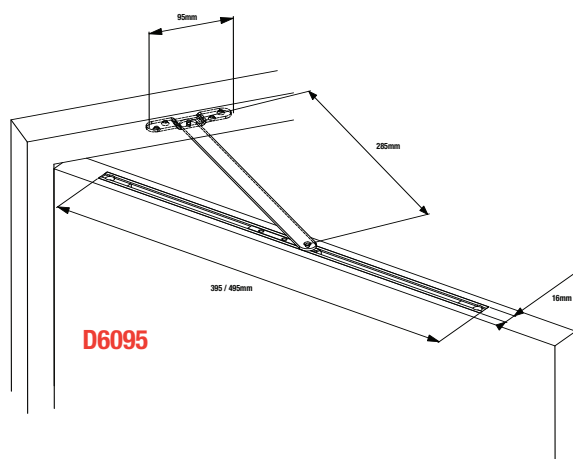
D6095-01-43 or D6095-02-43 SAA extrusion with Brass plated arm

D6095-01-14 or D6095-02-14 SAA extrusion with SSS plated arm

Sizes:

Standard length: D6095-01 = 495mm

Standard length: D6095-02 = 395mm



FRICION LIMITING STAY D7107



D7107 FRICION LIMITING STAY Surface Mounted

Application:

Suitable for use with Timber, Steel and Aluminium outward opening doors.

Description:

Face mounted stay allows door opening to be limited around 90°. The variable friction mechanism can be adjusted by rotating hexagonal bolt.

Materials A:

Iron castings with steel angle plate.

Finishes:

Matt black powder coated (01) EPB

Silver powder coated (20) EPS

Gold powder coated (26) EPGD

Materials B:

Brass castings with formed brass angle plate.

Finishes:

Polished chrome plated (35) CP

Polished brass (40) PB

Satin chrome plated on brass (32) SCPB

Additional non - standard finishes and RAL colours available - please enquire.

