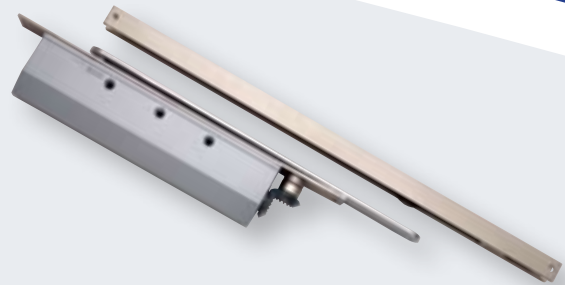


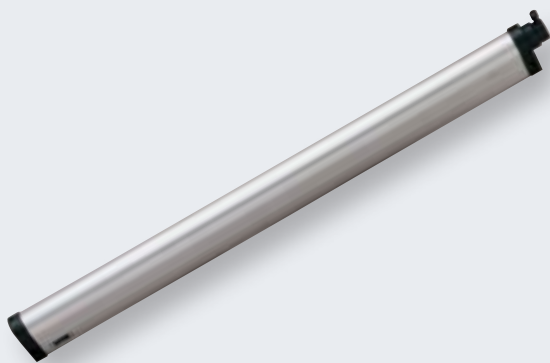
# Newstar Door Closing Devices & Accessories Catalogue **2010**



Barymatic jamb closer



Double action door closer



Overhead door sliding closer



Door selector



**NEWSTAR**  
form and function for life

### Door Closing Devices

	Page
Barymatic Jamb Closer	C3
Power Adjustable 1-4 Floor Spring	C4
Concealed Door Closer Double Action	C5
Concealed Door Closer Single Action	C6
Low Opening Force Track arm Closer	C7
Power Adjustable 2-5 Surface Door Closer	C8-C9
Power Adjustable 2-4 Surface Door Closer	C10-C11
Template Adjustable 2-4 Surface Door Closer	C12-C13
Sliding Door Door Closer	C14
Transom Door Closer	C15
Spring Jamb Closer	C16

### Door Closing Accessories

Pivot Sets	C17
Emergency Release	C18-C19
Double Action Strikes	C20
Door Selectors	C21
Limiting Stays	C22-C23

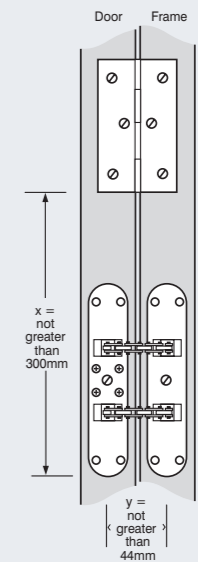
#### Key to finishes

- BZP** Bronze
- EB** Electro Plate Brass
- PL** Plastic
- PAA** Polished Aluminium
- PB** Polished Brass
- PCP** Polished Chrome Plate
- PSS** Polished Stainless Steel
- SNP** Satin Nickel Plate
- SSS** Satin Stainless Steel
- SE** Silver Sprayed
- BRS** Standard Brass
- WHT** White

#### Key to other symbols

- CE** CE Marked
- FR 30** Fire Rating
- FR 60** Fire Rating

## Adjustable speed hydraulic jamb closer



#### Features

Adjustable Speed  
Adjustable Latch  
Suitable for Doors up to 940mm width and 80kg  
5 Year Guarantee  
BSEN9001

A free replacement ex-works of any closer proved defective by reason either of faulty manufacture or defect in material.

#### Performance

Tested to 500,000 Frequency  
One Hour + Half Hour UK Fire Test WFRC  
UK Patent 0300204.5

#### Warning

This product is not designed and built for door openings of no more than 120 degrees, failure to comply will invalidate the guarantee on this product

## Bary catch HL1



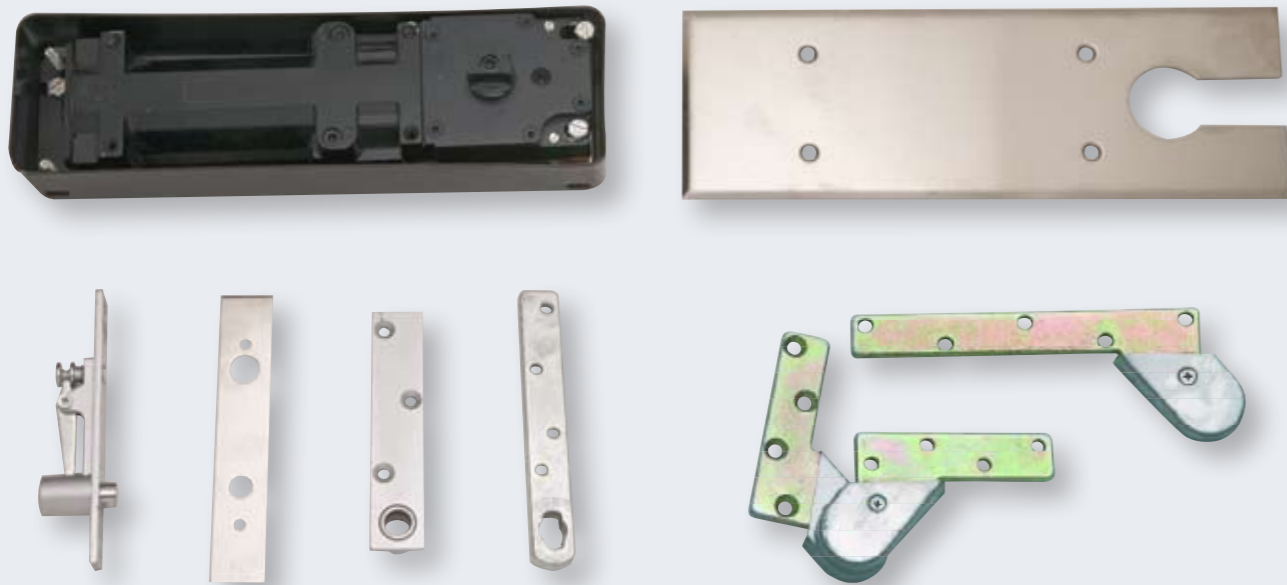
## Cover plates



# Floor springs

Power adjustable double and single action floor springs

**PA322**  



### Functional Criteria

Door Widths from 750mm to 1100mm.

Door Weights 20kg to 80kg.

Adjustments include;

1. Latching Speed. Final 15 Degrees.
2. Closing Speed. 15 - 180 Degrees.
3. Adjustable Spring Strength. BS Sizes 1-4.
4. Optional hold open 90 Degrees.

### Available Accessories;

1. Double Action
2. Single Action

### Dimensions

**Box:** 50 x 290 x 80mm

**Top Plate:** 1.6x310x105

### BS EN 1154 Classification

4 8 ¼ 0 1 3

### Fire Tested by Warrington apt



BS 476 Part 22 60 minutes

### Guarantee

10 Years

A free replacement ex-works of any closer proved defective by reason either of faulty manufacture or defect in material.

# Double action door closers

Double action door closer **CL-144.DA**  

Power adjustable by valve. Low opening force, c/w Pivot Set C-4-C



### Functional Criteria

Door Widths from 750mm to 950mm.

Door Weights 20kg to 60kg.

Adjustments include;

1. Latching Speed. Final 10 Degrees.
2. Closing Speed. 10 - 110 Degrees.
3. Adjustable Spring Strength. BS Sizes 1 - 3. By valve.

### Available arms

1. Track Arm Standard.
2. Track Arm Hold Open.

Do not use hold open closers on fire doors.

### BS EN 1154 Classification

4 8 ¾ 1 1 3

### Fire Tested by Warrington apt

BS 476 Part 22 60 minutes.

FR60 intumescent pack available.

Note: 36mm thick, add 4mm when fitting intumescent pack.

### Guarantee

10 years

**A free replacement ex-works of any closer proved defective by reason either of faulty manufacture or defect in material.**

# Single action door closers

## Concealed overhead door closer **CL-144**

Power adjustable by valve. Low opening force.



### Functional Criteria

Door Widths from 750mm to 950mm.

Door Weights 20kg to 60kg.

Adjustments include;

1. Latching Speed. Final 10 Degrees.
2. Closing Speed. 10 - 110 Degrees.
3. Adjustable Spring Strength. BS Sizes 1 - 3. By valve.

### Available arms

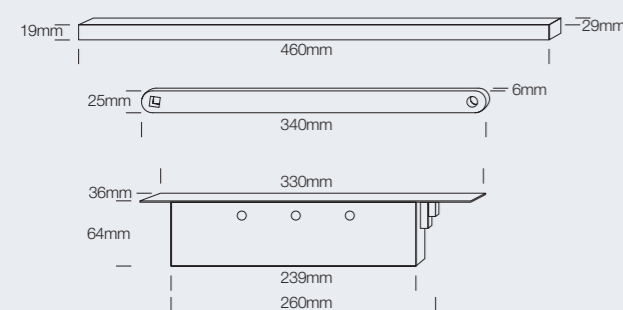
1. Track Arm Standard.
2. Track Arm Hold Open.

Do not use hold open closers on fire doors.

### BS EN 1154 Classification

4 8 3/4 1 1 3

### Dimensions



### Fire Tested by Warrington apt

BS 476 Part 22 60 minutes.

FR60 intumescent pack available.

Note: 36mm thick, add 4mm when fitting intumescent pack.

### Guarantee

10 years

**A free replacement ex-works of any closer proved defective by reason either of faulty manufacture or defect in material.**

# Surface overhead door closers

## Low opening force surface track arm door closer

### **SL-144**



### Functional Criteria

Door Widths from 750mm to 950mm.

Door Weights 20kg to 60kg.

Adjustments include;

1. Latching Speed. Final 10 Degrees.
2. Closing Speed. 10 - 110 Degrees.
3. Adjustable Spring Strength. BS Sizes 1 - 3. By valve.

### Dimensional Requirements

	Slide cover	Full cover
Length	238mm	264mm
Height	58mm	61mm
Projection	36mm	38mm

### Available arms

1. Track Arm.
2. Track Arm Hold Open.

Do not use hold open closers on fire doors.

### BS EN 1154 Classification

3 8 3/4 1 1 3

### Fire Tested by Warrington apt

BS 1634-1 2000 30 minutes

### Guarantee

10 years

**A free replacement ex-works of any closer proved defective by reason either of faulty manufacture or defect in material.**

# Surface overhead door closers

Power adjustable by valve surface overhead door closer

## EN25 & EN25.BC/DA



Slide Cover or full Cover Options available.



# Surface overhead door closers

### Functional Criteria

Door Widths from 850mm to 1250mm.

Door Weights 40kg to 100kg.

Adjustments include;

1. Latching Speed. Final 10 Degrees.
2. Closing Speed. 10 - 180 Degrees.
3. Adjustable Spring Strength. BS Sizes 2 - 5.
4. Adjustable Back Check. 70 - 85 Degrees.
5. Adjustable Delayed Action. 180 - 65 Degrees.  
20 Seconds minimum to BS. Set @ 40 seconds.

### Available arms

1. Standard.
2. Parallel Arm.
3. Hold Open Arm.
4. Track Arm.
5. Track Arm Hold Open.

Power Shoe arm bracket as standard

### Note

When using parallel arm and slide arm application increase the closer power by one more size.

Do not use hold open closers on fire doors.

### Classification confirmed by Warrington apt

1121-CPD-AD0110

### BS EN 1154 Classification

4 8 ½ 1 1 3

### Fire Tested by Warrington apt

BS 1634-1 2000 & BS 476 Part 22 60 minutes

### Dimensional Requirements

	Slide cover	Full cover
Length	236mm	258mm
Height	54mm	72mm
Projection	38mm	40mm

### Guarantee

20 years

**A free replacement ex-works of any closer proved defective by reason either of faulty manufacture or defect in material.**

# Surface overhead door closers

Power adjustable by valve surface overhead door closer

## EN24.BC



# Surface overhead door closers

## Functional Criteria

Door Widths from 850mm to 1100mm.

Door Weights 40kg to 80kg.

Adjustments include;

1. Latching Speed. Final 10 Degrees.
2. Closing Speed. 10 - 180 Degrees.
3. Adjustable Spring Strength. BS Sizes 2 - 4. By Valve
4. Adjustable Back Check. 70 - 85 Degrees.

## Available arms

1. Standard.
2. Parallel Arm.
3. Hold Open Arm.
4. Track Arm.
5. Track Arm Hold Open.

Power Shoe arm bracket as standard

## Note

When using parallel arm and slide arm application increase the closer power by one more size.

Do not use hold open closers on fire doors.

Classification confirmed by Warrington apt  
CE APPLIED FOR

## BS EN 1154 Classification

4 8 ½ 1 1 3

## Fire Tested by Warrington apt

BS 1634-1 2000

## Dimensional Requirements

	Full cover
Length	258mm
Height	62mm
Projection	44mm

## Guarantee

10 years

**A free replacement ex-works of any closer proved defective by reason either of faulty manufacture or defect in material.**

# Surface overhead door closers

Surface overhead door closer **EN100** SIL PSS PB SSS PL FR 60



C12

# Surface overhead door closers

## Functional Criteria

Door Widths from 850mm to 1100mm.

Door Weights 40kg to 80kg.

Adjustments include;

1. Latching Speed. Final 10 Degrees.
2. Closing Speed. 10 - 180 Degrees.
3. BS Sizes 2 - 4. By Template

## Available arms

1. Standard.
2. Parallel Arm.

Power Shoe arm bracket as standard

## Note

When using parallel arm and slide arm application increase the closer power by one more size.

Do not use hold open closers on fire doors.

## Classification confirmed by Warrington apt

1121-CPD-AD0054

## BS EN 1154 Classification

3 8 3 1 1 3

## Fire Tested by Warrington apt

BS 1634-1 2000 60 minutes

## Dimensional Requirements

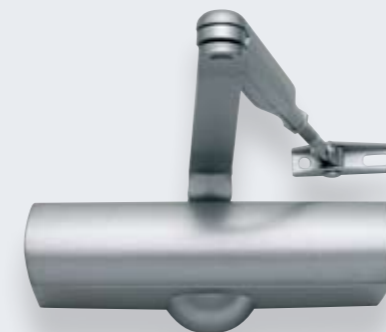
	No cover	Full cover
Length	180mm	190mm
Height	40mm	55mm
Projection	63mm	65mm

## Guarantee

10 years

**A free replacement ex-works of any closer proved defective by reason either of faulty manufacture or defect in material.**

Plastic cover



Finished cover



C13

# Door closers

## Overhead door sliding closer **TYPE III SE**



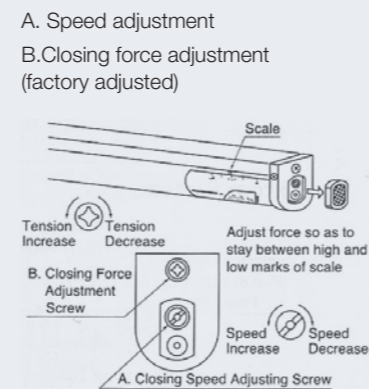
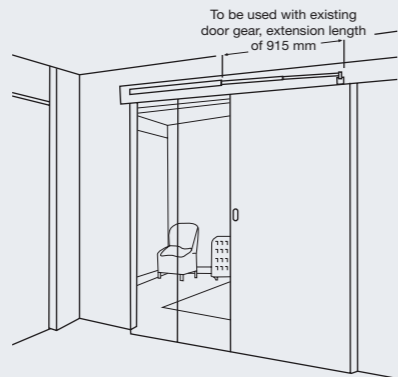
Surface mounted sliding door closer, for lightweight doors only, with closing speed and closing power adjustment.

For fixing to existing sliding door systems.

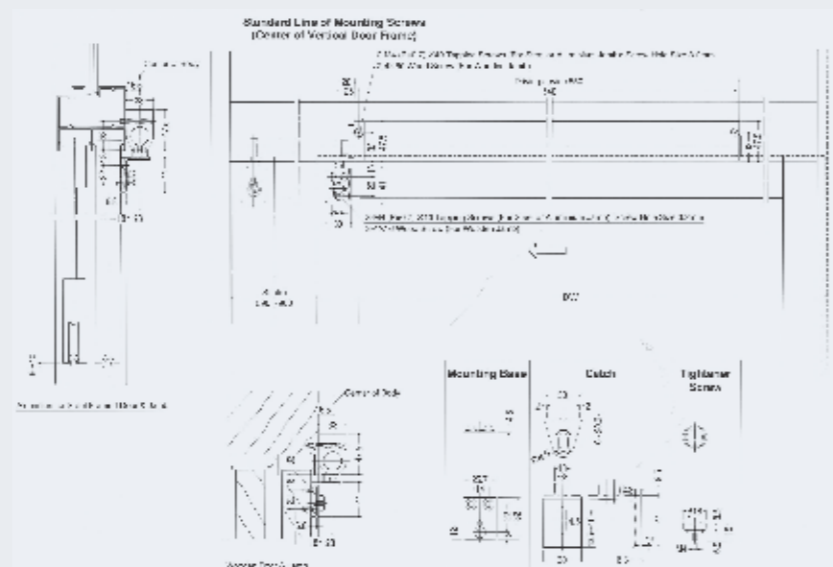
To suit door sizes from 590-900mm.

40kg – maximum door weight.

Non Fire Rated.

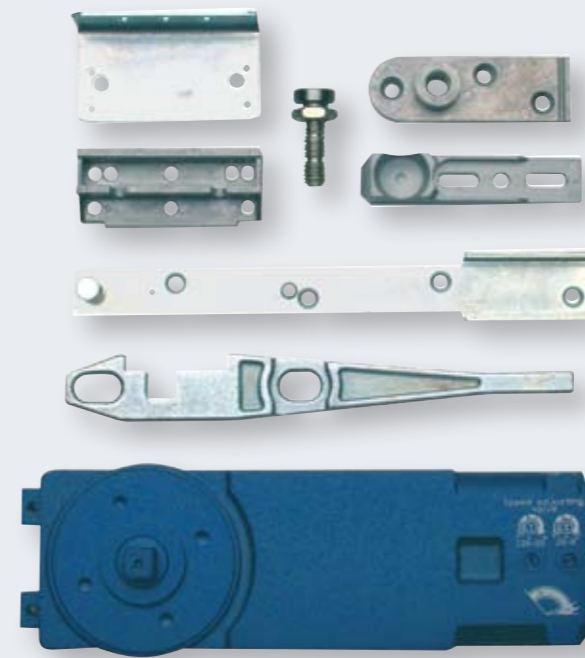


- Can be fitted to installed light-weight doors in homes, stores etc.
- Applicable for door with a stroke of 590-900mm and a maximum weight of 40kg.
- Product available in one standard length.
- Same unit can be fitted to right or left hand door panel. Closing power and speed adjustable.
- Applicable for doors that can be opened freely using 0.7kg of force or less.



# Door closers

## Transom door closer



### Transom Door Closer with or without hold open. Side loaded.

Door Widths up to 1250mm.

Door Weights up to 150kg.

Suitable for use in temperatures from -15 to 40 Degrees Celsius..

#### Adjustments include;

1. Latching Speed. Final 10 Degrees.
2. Closing Speed. 10 - 130 Degrees.
3. Spring Strength. Sizes 3 & 4.
4. Adjustable Back Check. Not Available.
5. Delayed Action. Not Available.

**C-103 Size 3** Non Hold Open.

**CS-103 Size 3** Hold Open.

**C-104 Size 4** Non Hold Open.

**CS-104 Size 4** Hold Open.

Not suitable for fire doors.

Can be used on wood doors. SSS cover plate required 130 x 325 x 1.5mm available. TP.TRANSOM

## Plate for wooden doors **SSS**



#### Available Arms;

1. Track Arm Standard.
2. Track Arm Hold Open.

#### Finish:

Silver Body/Polished Chrome Arm.

Special finishes to order.

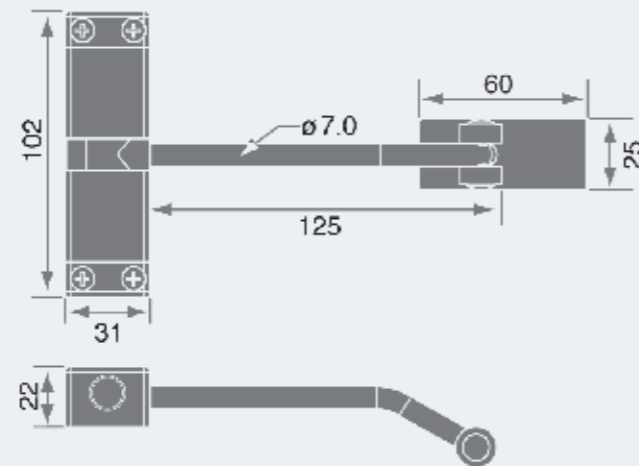
Product	Performance	Classification	Fire	QA
C-103	BSEN1154	4 8 ¾ 0 1 3	-	9001
CS-103	BSEN1154	4 8 ¾ 0 1 3	-	9001
C-104	BSEN1154	4 8 ¾ 0 1 3	-	9001
CS-104	BSEN1154	4 8 ¾ 0 1 3	-	9001

# Door closers

Spring door closer **DC-070** **PSS SSS**

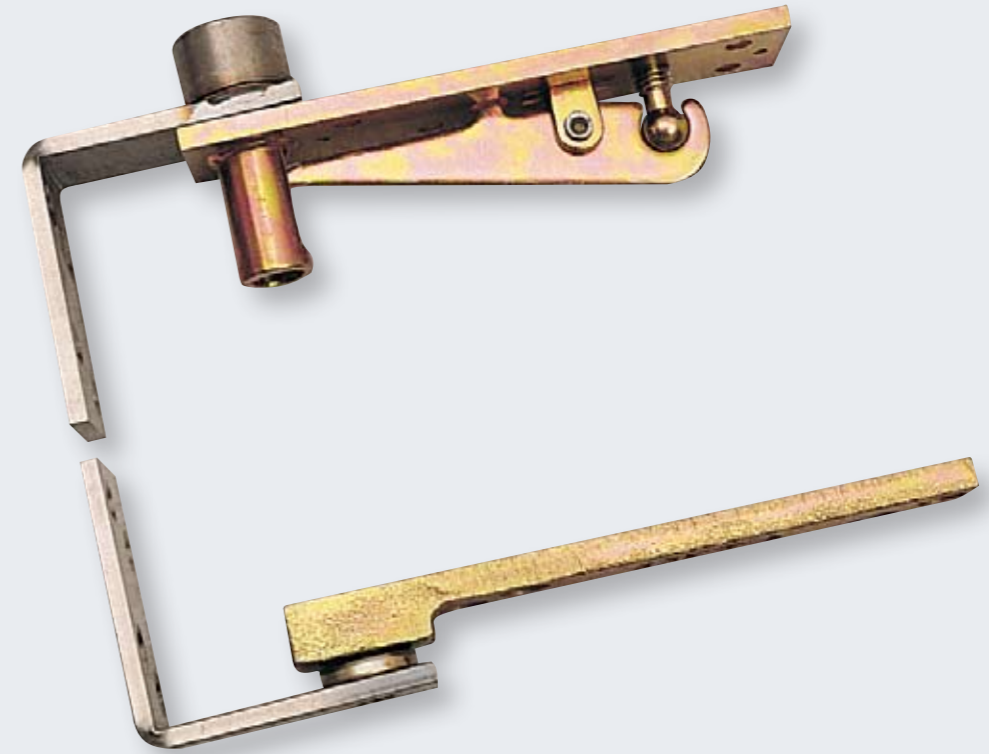


Suitable for doors up to 35kg.  
Tested to 40,000 cycles.



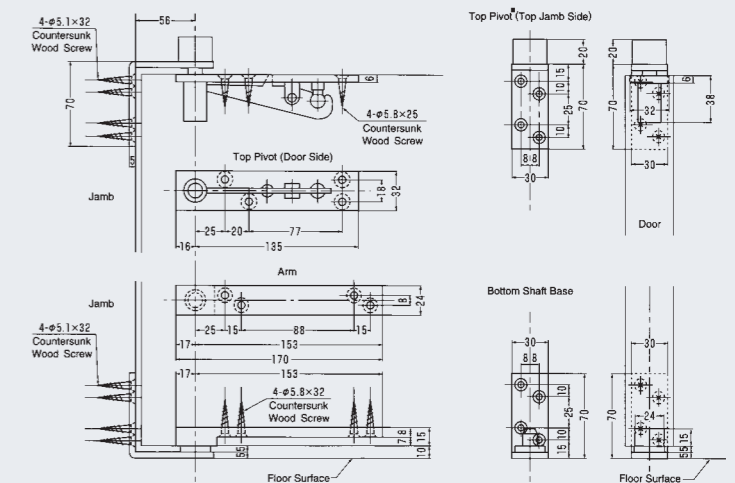
# Double action pivot set C-4-C

**FR 30** **SSS**

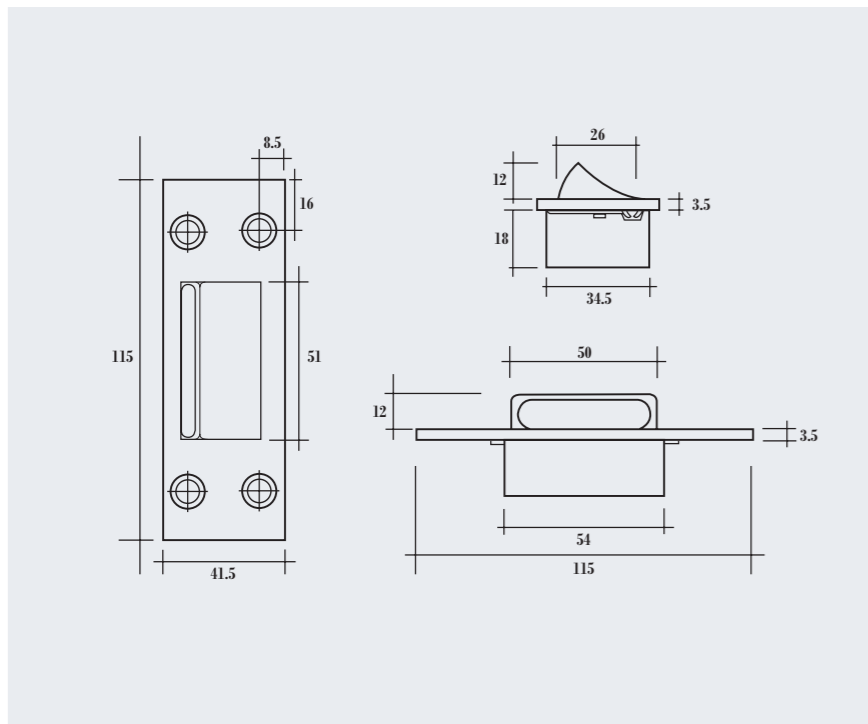
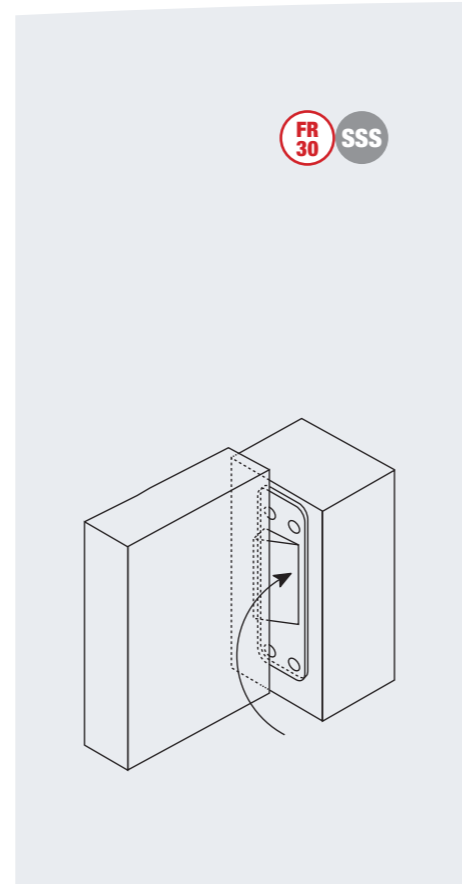


Ideal for use in hospital/disabled toilets.  
Normally used in conjunction with the  
Emergency Release C-5-C or C-7-C.  
Special Strike Plates available to suit  
Double Swing application.  
80kg weight carrying capacity.

**Fire Tested by Warrington apt**  
BS 476: PART 20: 1987 30 minutes



# Emergency release C-5-C

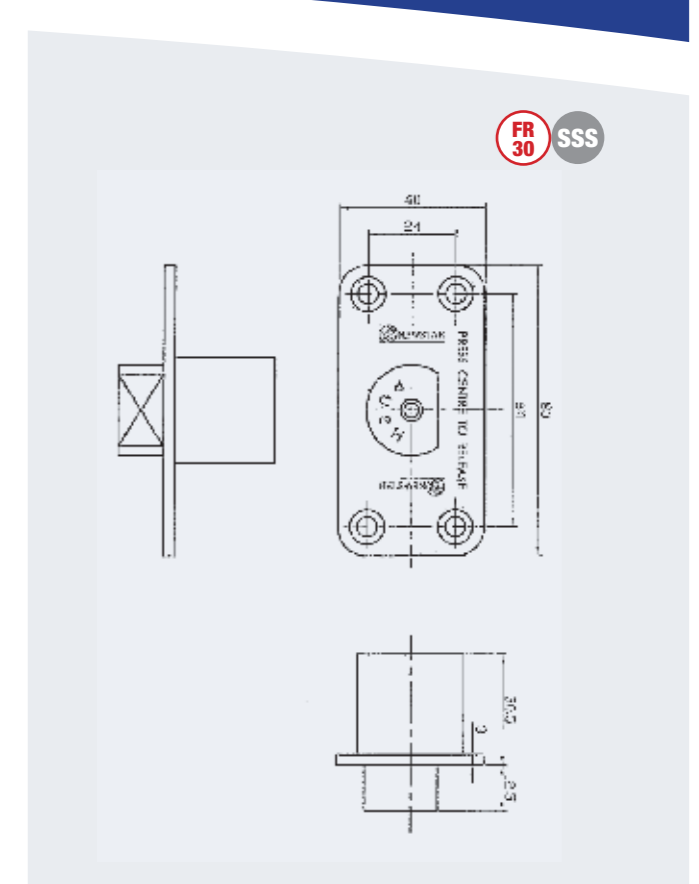


Allows double swing doors to operate as single swing doors when used in conjunction with Double Action Set C-4-C.

Ideal for use in hospital/disabled toilets etc.

**Fire Tested by Warrington apt**  
BS 476: PART 20:  
1987 30 minutes

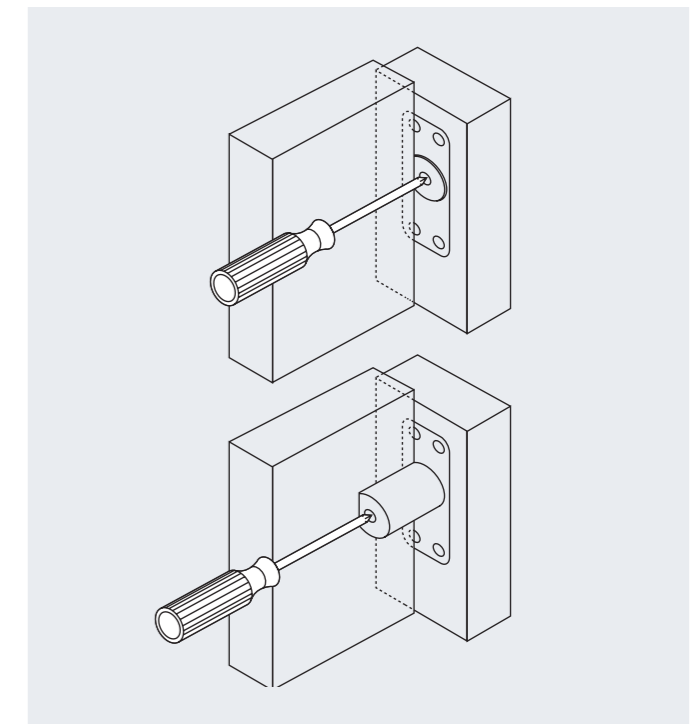
# Emergency release C-7-C



Allows double swing doors to operate as single swing doors when used in conjunction with double action set C-4-C.

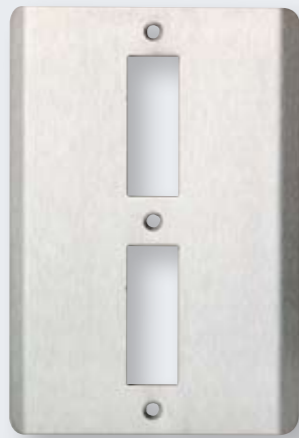
Ideal for use in hospital/disabled toilets etc.  
Stop release resets after use.

**Fire Tested by Warrington apt**  
BS 476: PART 20: 1987 30 minutes

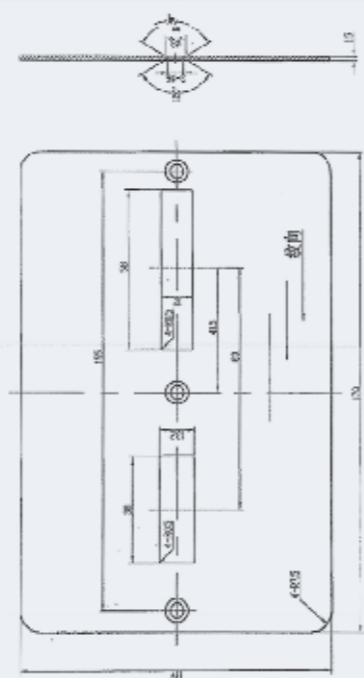


# Double swing strikes

Din Locks double action strike plate  
**C-6-C** SSS PSS



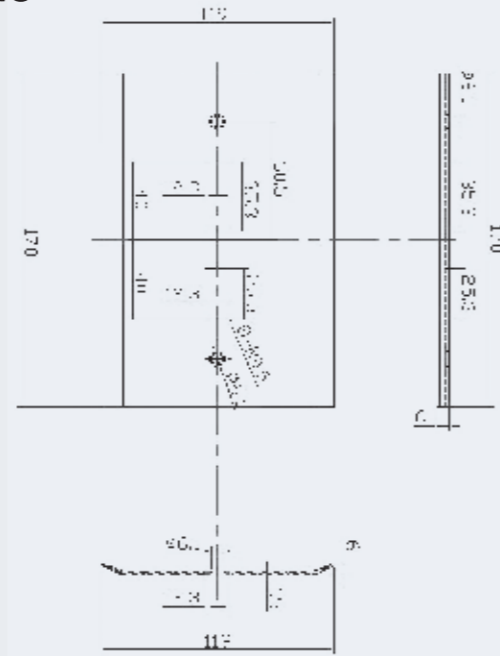
To suit lining 90-110mm



UK Locks double action strike plate  
**C-8-C** SSS PSS



To suit lining 90-110mm



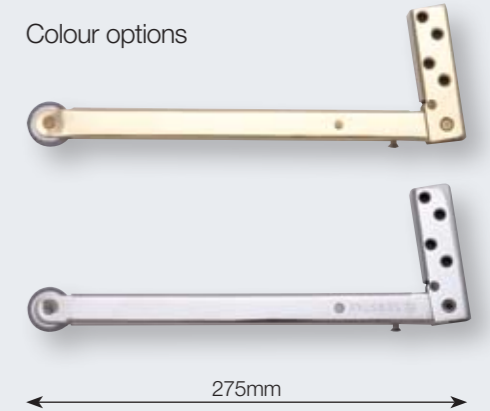
# Door selector

Door selector **SF.250F**

SSS PSS PB



Colour options



The SF.250F Door Selector is Designed to be fitted to a set of rebated doors, the idea is to slow one leaf down to allow the right leaf to sit in the frame before the other leaf, this is to ensure that the pair of doors close correctly.

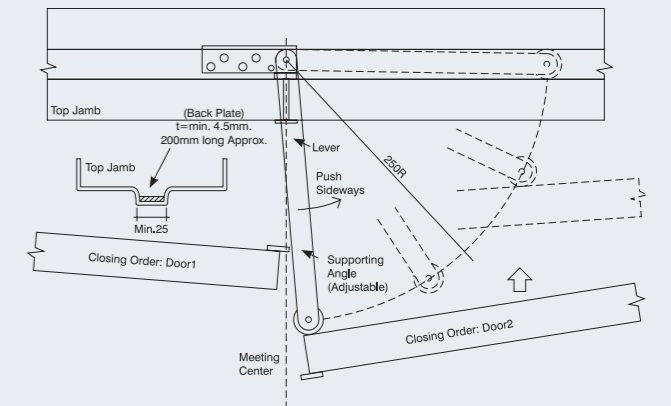
**BS EN 1158: 1997 + A1: 2003 Classification** 3 5 3 0 1 2

Rubbing plates **RP1**

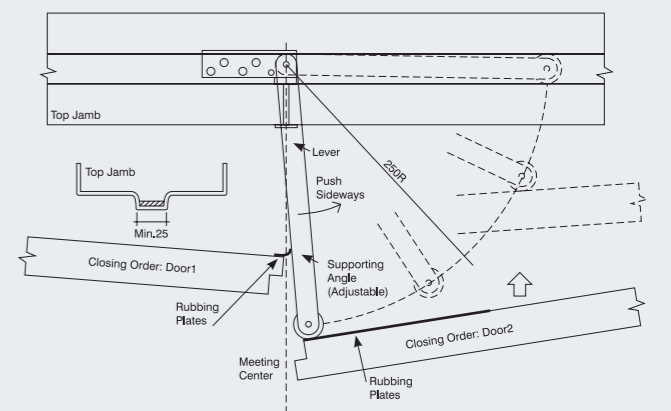
SSS



**Metal Door Installation**



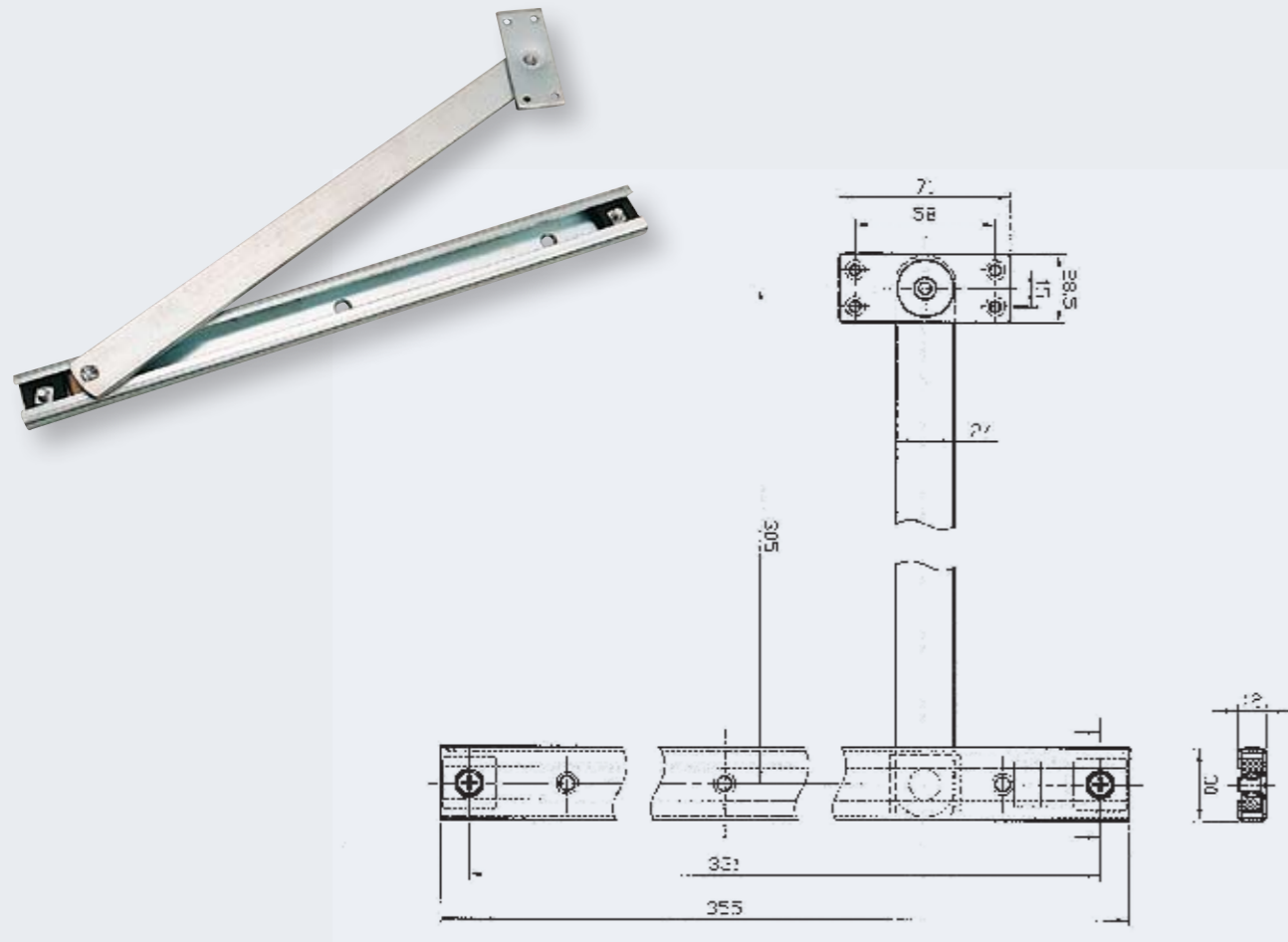
**Wood Door Installation**



# Stays

## Mortise limiting stay **930000**

Limiting the opening angle of a door to 90 degrees



Proposed Classification in accordance with DHF Technical Specification 003 : Selectively applied door opening restrictors for security purposes : November 2005

1 - - 1 - 2 3 L

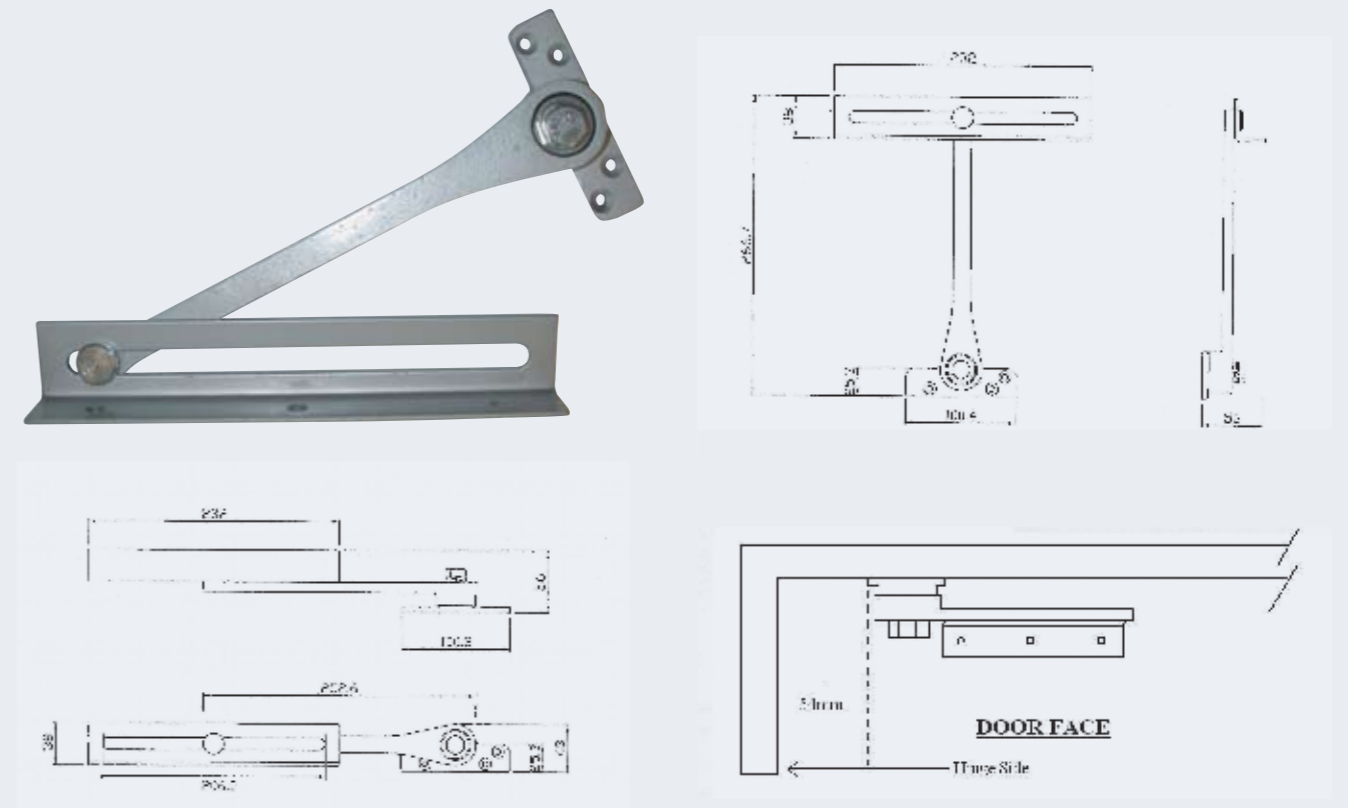
### Associated Standards

BS 8213-1:2004 Windows, doors and rooflights. Part 1: Design for safety in use and during cleaning of windows, including door height windows and roof windows - Code of practice  
 BS EN 1634-1:2000 Fire resistance tests for door and shutter assemblies – Part 1: Fire doors and shutters  
 BS EN 1670:1998 Building hardware – Corrosion resistance – Requirements and test methods

# Stays

## Surface limiting stay **930001**

Limiting the opening angle of a door to 90 degrees



Proposed Classification in accordance with DHF Technical Specification 003 : Selectively applied door opening restrictors for security purposes : November 2005

1 - - 1 - 3 3 L

### Associated Standards

BS 8213-1:2004 Windows, doors and rooflights. Part 1: Design for safety in use and during cleaning of windows, including door height windows and roof windows - Code of practice  
 BS EN 1634-1:2000 Fire resistance tests for door and shutter assemblies – Part 1: Fire doors and shutters  
 BS EN 1670:1998 Building hardware – Corrosion resistance – Requirements and test methods

### Application

Suitable for use with timber, steel and aluminium outward opening doors.

### Description

Face mounted friction stay allows door opening to be limited. The variable friction mechanism can be adjusted by rotating hexagonal bolt



# NEWSTAR

form and function for life

┌ Distributed by ┐

Newstar Door Controls Limited, Unit 2, Lion Business Park, Dering Way, Gravesend, Kent DA12 2DN.  
Telephone: (01474) 353111 Facsimile: (01474) 353911 email: [info@new-star.co.uk](mailto:info@new-star.co.uk) [www.new-star.co.uk](http://www.new-star.co.uk)

All illustrations and dimensions given in this brochure are subject to change due to the continual refining and improving of the product range. Therefore we reserve the right to alter specification without prior notice. Any products purchased from this brochure are subject to our standard terms and conditions which are available upon request. March 2010.