



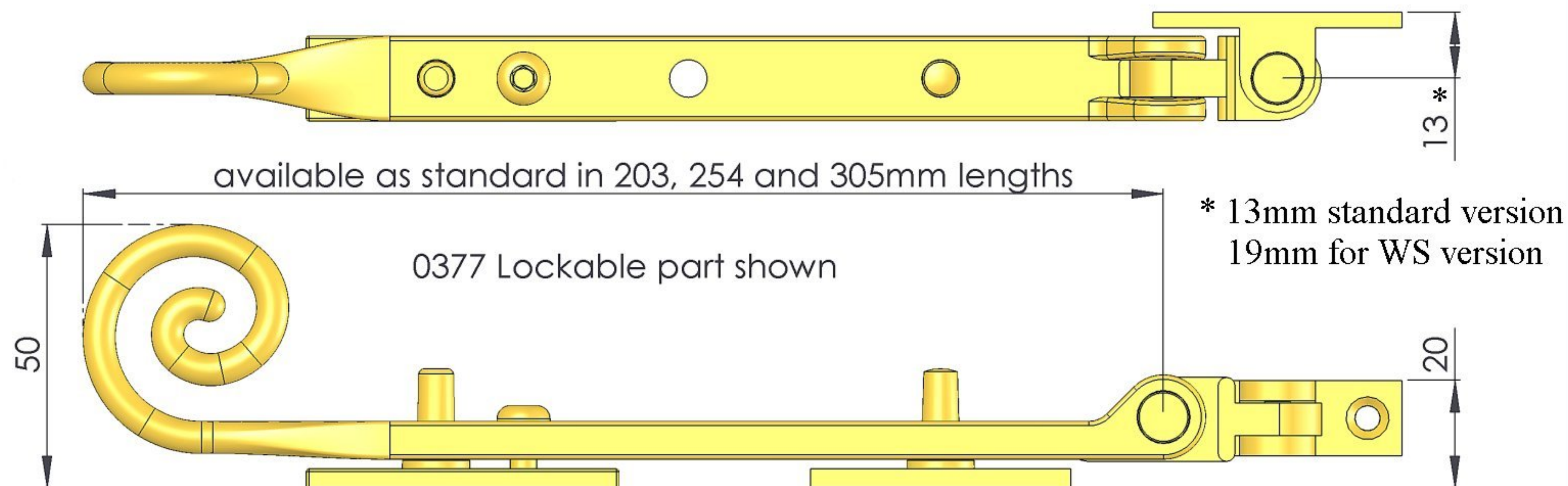
Copyright Frank Allart 2010



0377 Lockable Stay supplied with Key.
Extended Earplate Weather Seal (WS)
versions available on request.

0376 & 0377 Window Stays (Monkey Tail design)

AVAILABLE IN ALL ALLART BRASS & BRONZE FINISHES



Frank Allart & Co. Limited
15-35 Great Tindal Street,
Birmingham, B16 8DR, UK.
Tel: +44 (0) 121 410 6000
Fax: +44 (0) 121 410 6066
E-mail: sales@allart.co.uk
website: www.allart.co.uk