

# Briton

*560 & 570 Series Panic Exit Hardware*





FM 00401



EMS 66705

When specifying a product from Ingersoll Rand Security Technologies you can be assured that an uncompromising attention to detail has been given to every stage of design and manufacture. This ensures that its products and systems meet the highest possible quality and conformity certifications and exceed the requirements of all applicable European Standards.

A global leader in every sense of the word, Ingersoll Rand Security Technologies has an unrivalled track record in satisfying the demands of architects, designers, specifiers and building contractors throughout the world.

Ingersoll Rand Security Technologies manufactures a portfolio of market leading products, including Briton, the UK's number one brand of door controls. The Briton name is synonymous with high quality design, reliability and durability and is at the forefront of supplying products that meet the new European CPD requirements, such as one of the first ranges of CE marked fire exit hardware and door controls.



## Briton

Door hardware and security products

## Normbau

Coloured nylon design systems

## Randi

Scandinavian stainless steel design systems

## Schlage

Commercial and domestic security systems

## CISA

Hotel locking and security systems

In addition, Ingersoll Rand Security Technologies produces a wide selection of contemporary door hardware, including Randi, an architect-designed suite of stainless steel door furniture and bathroom fittings, manufactured at its factory in Denmark.

An extensive series of coloured nylon and stainless steel products are manufactured in the company's German facility under the Normbau brand. The range incorporates lever and pull handles as well as complementary accessories, a comprehensive railing system and products for people with special needs.

Manufactured in Italy and designed to suit even the most demanding professional requirements in the security sector, Ingersoll Rand Security Technologies' CISA range incorporates traditional hardware products, hotel locks and advanced access control systems with 'smart card'.

# Briton Total Quality Assurance



*All our products and systems are based on cutting edge technology, supported by major investment in research and development and by modern manufacturing techniques. Our world-class reputation for reliability and durability is founded on a commitment to continuous improvement in everything we do.*

*We work constantly to enhance the performance levels and aesthetic qualities of everything we produce, from a simple lever to a sophisticated door control system.*

By giving uncompromising attention to detail at every stage of design, manufacture, assembly and inspection, we ensure that all our products and systems meet the highest possible quality and conformity standards, and exceed the requirements of all applicable European Standards.

## **Total service excellence**

Our expert and fully trained service teams are dedicated to meeting and surpassing customers' requirements at all times, providing prompt, nationwide assistance and reliable support in any aspect of service you may require.

Our Technical Services Department will assist with :

- Product selection
- Advice on Installation
- Trouble shooting
- Advice and information from our extensive database of test data and certification

Call the Technical Service Department on  
**FREEPHONE 0800 834 102**

## **Further Information**

Further details of all our product ranges and services can also be found by accessing our website at:

**[security.ingersollrand.co.uk](http://security.ingersollrand.co.uk)**



## EN 1125

Every new build or replacement panic exit application is required to comply with European safety legislation. The European standard EN 1125 covers panic exit devices for buildings used by the public providing *"safe and effective escape through the doorway with minimum effort and without prior knowledge of operation"*.

Briton 560 and 570 panic exit hardware carries the CE mark visibly showing that the products have been independently tested and assessed to the very latest European standard EN 1125.

From April 2003 it became mandatory for all manufacturers to CE mark exit devices for fire and escape door use. Both the Briton 560 and Briton 570 conform to EN 1125 and carry the CE mark under certificate of conformity number 0099-CPB-A44.



### Briton 560 - Pushbar Panic Exit Device

- Suitable for most timber, steel, and aluminium door constructions up to a maximum mass of 200Kg, a maximum height of 2500mm and a maximum width of 1300mm
- The device is suitable for door with a minimum clear opening width down to 500mm. This can be reduced to 350mm when the side latchbolts are not required.
- Anti-thrust device – prevents unauthorised retraction of the latchbolt.
- Supplied complete with adjustable strikers and spacers for accurate installation on both single and double door applications.



### Briton 570 - Touchbar Panic Exit Device

- Suitable for most timber, steel, and aluminium door constructions up to a maximum mass of 200Kg and a maximum height of 2500mm
- Available in two device lengths of 1200mm and 840mm which are suitable for a maximum door width of 1300mm and 940mm respectively
- The devices are suitable for doors with a minimum clear opening width down to 500mm. This can be reduced to 350mm when the side latchbolts are not required
- Anti-thrust device – prevents unauthorised retraction of the latchbolt
- Supplied complete with adjustable strikers and spacers for accurate installation on both single and double door applications

# Briton Modular Panic Exit Solutions

*A final exit door must be fitted with a securing device which enables the occupants of a building to open it without the use of a key from the escape side.*

*The Briton 560 and Briton 570 have been designed to offer modular panic exit devices for the mid to high end specification market offering a combination of safety and optimum security. Comprising of one-point locking pushbar or touchbar device and additional modular locking kits these units offer increased flexibility and adaptability to suit individual requirements.*

## Modular

The Briton 560 and 570 series offers increased levels of flexibility with its modular design feature. For example, should the need arise for increased security upgrading a device is simple. The one point locking device can be easily upgraded to two, three or even four point locking on a single door for maximum security. In the same way, double door applications can be increased from three point locking up to six point locking.

## Security

Designed to provide immediate escape at any time these devices also provide a high level of security from intruders from the outside. The anti-thrust device prevents unauthorised retraction of the latchbolts and the modular design allows various levels of multi-point locking.

## Pullman Latches

The pullman latchbolts provide a smooth and quiet closing action. Ideal for interconnecting doors in highly populated areas.

Side acting pullmans are also available for applications where installation of the striker to the floor or threshold is not practical.



The Briton 560 and 570 series are supplied with a 5 year guarantee with free replacement of any unit proved defective by reason of faulty manufacture or defect in materials.

## Style

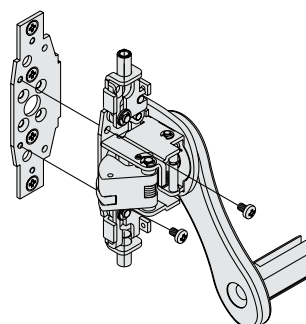
Unobtrusive projection and smooth flowing curves make both of these ranges of panic exit hardware ideal for any building where aesthetics are important.

## Durability

The Briton 560 and 570 panic exit devices have been tested in excess of 200,000 cycles.

## Easy to install

Both the Briton 560 and 570 are quick and easy to install whether it's the first installation or whether you are upgrading. Simple fixing instructions and templates and the easy fit backplate on the Briton 560, ensure that devices are fitted accurately, first time, every time.





**Briton 561**

**One Point Locking Panic Device**

- Suitable for use on single doors and the first opening leaf of rebated double doors
- Upgradeable to two/three point locking or four point locking on single and first opening leaf of rebated double doors with Modular Locking Points (see page 9 for details)
- Non-handed – suitable for both left and right handed doors
- Dogging device (hold-open) option available (see page 10 for details)
- Alarm micro-switch option available (see page 10 for details)
- Conforms to EN 1125  
**Classification 37611422A**



**Briton 562-V**

**Two/Three Point Locking Panic Device with Upper and Lower Pullmans**

- Suitable for use on single doors, rebated and non-rebated double doors
- Upgradeable to four point locking on single doors with Modular Locking Points (see page 9 for details)
- Non-handed – suitable for both left and right handed doors
- Dogging device (hold-open) option available (see page 10 for details)
- Alarm micro-switch option available (see page 10 for details)
- Alternative bottom striker option available (see page 10 for details)
- Conforms to EN 1125  
**Classification 37611422A**



**Briton 562-S**

**Three Point Locking Panic Device with Two Side Pullmans**

- Suitable for use on single doors and the first opening leaf of rebated double doors
- Upgradeable to four point locking on single doors and first opening leaf of rebated double doors with Modular Locking Points (see page 9 for details)
- Non-handed – suitable for both left and right handed doors
- Dogging device (hold-open) option available (see page 10 for details)
- Alarm micro-switch option available (see page 10 for details)
- Conforms to EN 1125  
**Classification 37611422A**



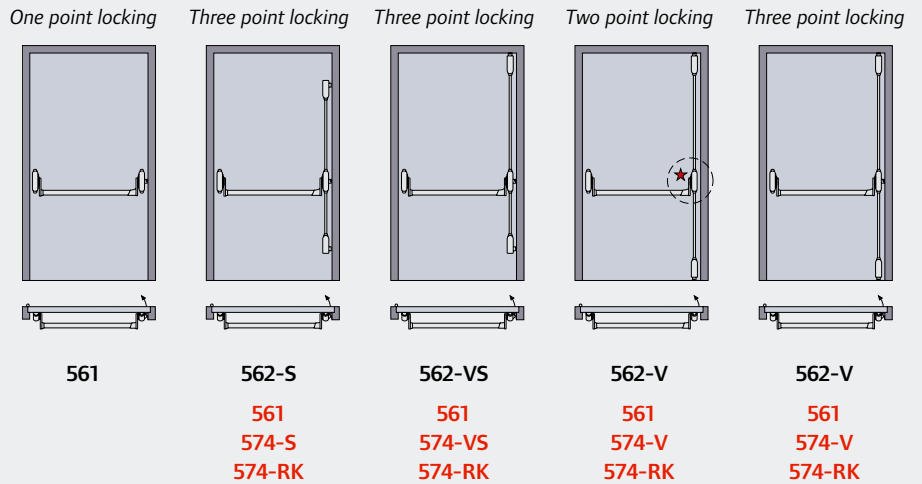
Briton 560 panic exit devices are suitable for application to single doors and in combinations on rebated and non-rebated double doors.

Consideration should be given to the use of door co-ordinating devices for rebated pairs of doors.

A door co-ordinating device **MUST** be used for fire/smoke applications.

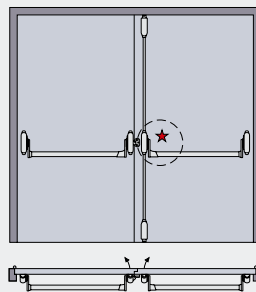


**Single door**



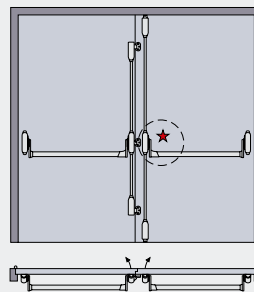
**Rebated double door**

*Three point locking*



**561**   **562-V**  
**561**  
**574-V**  
**574-RK**

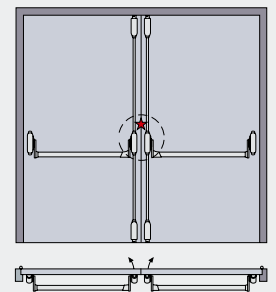
*Five point locking*



**562-S**   **562-V**  
**561**   **561**  
**574-S**   **574-V**  
**574-RK**   **574-RK**

**Non-Rebated double door**

*Four point locking*



**562-V**   **562-V**  
**561**   **561**  
**574-V**   **574-V**  
**574-RK**   **574-RK**

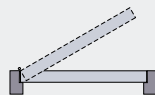
**Briton 562-VS/L & 562-VS/R**

**Three Point Locking Panic Device with One Upper and One Side Pullman**

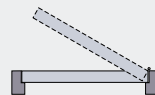
- Suitable for use on single doors
- Upgradeable to four point locking on single doors with Modular Locking Points (see page 9 for details)
- Handed – 562-VS/L suitable for left handed doors & 562-VS/R suitable for right handed doors
- Dogging device (hold-open) option available (see page 10 for details)
- Alarm micro-switch option available (see page 10 for details)
- Conforms to EN 1125  
**Classification 37611422A**



**Key to illustrations:**



Clockwise closing  
Left hand  
ISO. 5.0



Anti-clockwise closing  
Right hand  
ISO. 6.0

★ Side latchbolt not required - disable during installation

STANDARD RANGE  
MODULAR RANGE



**Briton 571-1 (1200mm)**  
**Briton 571-2 (840mm)**  
**One Point Locking Panic Device**

- Suitable for use on single doors and the first opening leaf of rebated double doors
- Upgradeable to two/three point locking or four point locking on single and first opening leaf of rebated double doors with Modular Locking Points (see page 9 for details)
- Non-handed – suitable for both left and right handed doors
- Dogging device (hold-open) option available (see page 10 for details)
- Alarm micro-switch option available (see page 10 for details)
- Conforms to EN 1125  
**Classification 37611422B**



**Briton 572-V-1 (1200mm)**  
**Briton 572-V-2 (840mm)**  
**Two/Three Point Locking Panic Device with Upper and Lower Pullmans**

- Suitable for use on single doors, rebated and non-rebated double doors
- Upgradeable to four point locking on single doors with Modular Locking Points (see page 9 for details)
- Non-handed – suitable for both left and right handed doors
- Dogging device (hold-open) option available (see page 10 for details)
- Alarm micro-switch option available (see page 10 for details)
- Alternative bottom striker option available (see page 10 for details)
- Conforms to EN 1125  
**Classification 37611422B**



**Briton 572-S-1 (1200mm)**  
**Briton 572-S-2 (840mm)**  
**Three Point Locking Panic Device with Two Side Pullmans**

- Suitable for use on single doors and the first opening leaf of rebated double doors
- Upgradeable to four point locking on single doors and first opening leaf of rebated double doors with Modular Locking Points (see page 9 for details)
- Non-handed – suitable for both left and right handed doors
- Dogging device (hold-open) option available (see page 10 for details)
- Alarm micro-switch option available (see page 10 for details)
- Conforms to EN 1125  
**Classification 37611422B**



# Briton 570 Series Application Guide

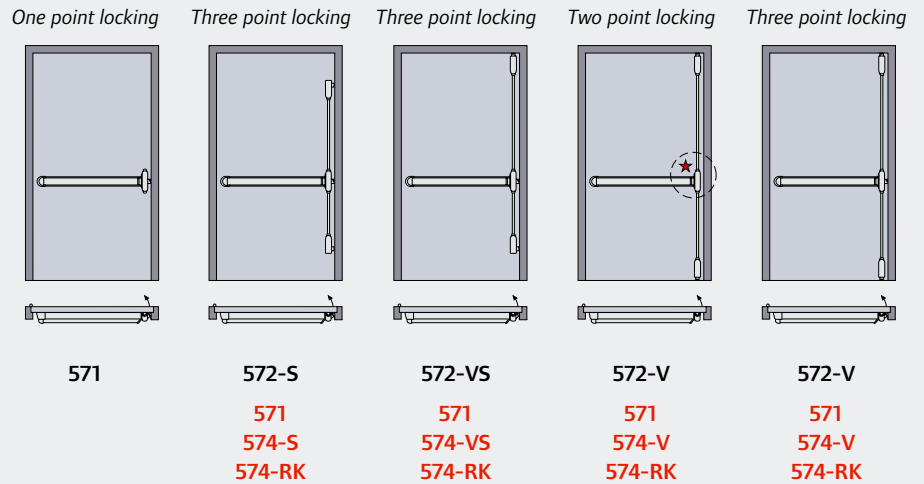
Briton 570 panic exit devices are suitable for application to single doors and in combinations on rebated and non-rebated double doors.

Consideration should be given to the use of door co-ordinating devices for rebated pairs of doors.

A door co-ordinating device **MUST** be used for fire/smoke applications.

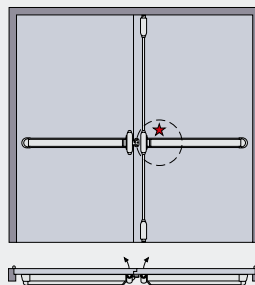


## Single door



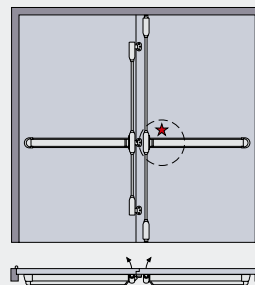
## Rebated double door

*Three point locking*



571 572-V  
571  
574-V  
574-RK

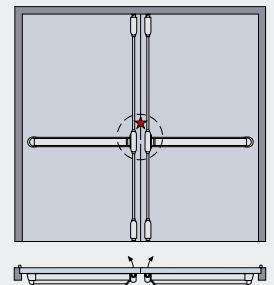
*Five point locking*



572-S 572-V  
571 571  
574-S 574-V  
574-RK 574-RK

## Non-Rebated double door

*Four point locking*



572-V 572-V  
571 571  
574-V 574-V  
574-RK 574-RK

**Briton 572-VS-1/L & 572-VS-1/R (1200mm)**

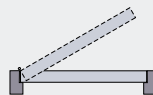
**Briton 572-VS-2/L & 572-VS-2/R (840mm)**

**Three Point Locking Panic Device with One Upper and One Side Pullman**

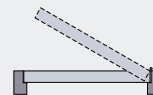
- Suitable for use on single doors
- Upgradeable to four point locking on single doors with Modular Locking Points (see page 9 for details)
- Handed – 572-VS/L suitable for left handed doors & 572-VS/R suitable for right handed doors
- Dogging device (hold-open) option available (see page 10 for details)
- Alarm micro-switch option available (see page 10 for details)
- Conforms to EN 1125  
**Classification 37611422B**



### Key to illustrations:



Clockwise closing  
Left hand  
ISO. 5.0



Anti-clockwise closing  
Right hand  
ISO. 6.0

★ Side latchbolt not required - disable during installation

STANDARD RANGE  
MODULAR RANGE

# 570 Touchbar Mortise Application

Briton 573 panic exit devices are suitable for application to single doors and in combinations on rebated and non-rebated double doors.

Consideration should be given to the use of door co-ordinating devices for rebated pairs of doors.

A door co-ordinating device **MUST** be used for fire/smoke applications.

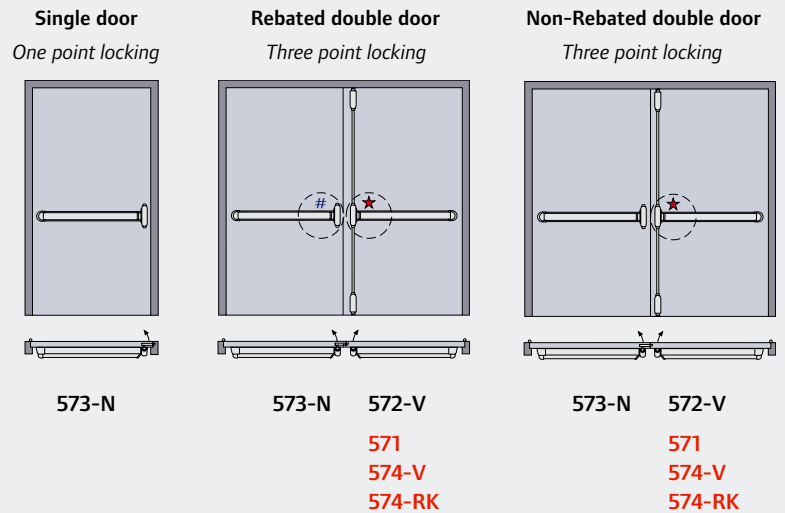


**Briton 573-N-1 (1200mm)**

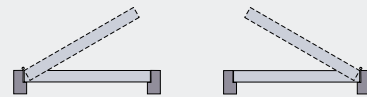
**Briton 573-N-2 (840mm)**

**Mortise Panic Device with Nightlatch**

- Suitable for use on single doors, rebated and non-rebated double doors
- Handed – supplied suitable for right handed doors, and can be reversed on site
- Supplied with dual profile cylinder mortise nightlatch, which accepts both euro and oval profiled cylinders (cylinders not supplied)
- Complete with steel box striker
- 13mm & 25mm rebate kits are available for rebated double door applications
- Alarm micro-switch option available (see page 10 for details)
- Conforms to EN 1125  
**Classification 37611422B**



**Key to illustrations:**



Clockwise closing  
Left hand  
ISO. 5.0

Anti-clockwise closing  
Right hand  
ISO. 6.0

★ Side latchbolt not required – disable during installation

# Rebate kits available to suit:  
13mm rebates (379DDRK-13)  
25mm rebates (379DDRK-25)

STANDARD RANGE  
MODULAR RANGE



# Briton The Modular Approach

The modular approach to Briton 560 and 570 panic exit devices is simple  
Follow these 3 easy steps to create a panic device for your specific application.

## Step - 1

Firstly select which device you want to use, either:  
**Briton 561 Panic Pushbar**  
or  
**Briton 571 Panic Touchbar**.



## Step - 2

Next choose the most suitable modular locking point configuration.

In addition to this for increased security there is the option of an additional modular locking point.

\* note - these options are handed. Please specify L or R when ordering.



The Additional Side Pullman can be used in conjunction with a Lower or Upper Pullman to upgrade from three point locking to four point locking on single and first opening leaf of double doors.

## Step - 3

Finally select the rod kit to connect the locking units to the panic device.

Additional features can be built into the system using the accessories shown overleaf.





**566-AK**  
**Alarm Switch Kit**  
For use with Briton 560 only



**576-AK**  
**Alarm Switch Kit**  
For use with Briton 570 only



**566-DK**  
**Dogging Device Kit**  
For use with Briton 560 only



**576-DK**  
**Dogging Device Kit**  
For use with Briton 570 only  
(not suitable for Briton 573)

### Controlled Access

Outside access device for use with both Briton 560 and 570 devices.

Using a Briton 1413E outside locking device will give access from the outside for key holders when the door is locked. When unlocked the door can also be operated from the outside by using lever/knob.

Choice of interchangeable knob, or lever (available separately) allowing the most appropriate method of operation to be selected for the building users.

Not recommended for high use areas.



**Briton 1413E/LE**

**Briton 1413E/KE**

- Supplied with euro-profile cylinder as standard. Cylinders can be keyed alike or master-keyed
- Suitable for door thickness 40mm - 70mm
- Fixings supplied are suitable for timber and metal doorsets
- Powder coated for additional durability - choice of silver, matt black, gold, brown bronze or Normbau finishes
- Choice of plated finishes - satin stainless steel and polished brass



### Briton 576-BS Bottom Striker Kit

Bottom striker, for use with lower pullman where a threshold is fitted on either Briton 560 or Briton 570.

**Finish:** matt black

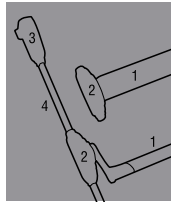


### Briton 576-RE Top Rod Extension Kit

Rod extension kits are suitable for use with both Briton 560 and 570 devices on doors in areas that require the pushbar or touchbar to be in a lower position ie schools. These can also be used on doors up to 3350mm high, however doors over 2500mm high are outside the scope of EN 1125.

**Finish:** silver/matt black

# Briton A Choice of Finishes



## A Colour coded powder coated silver (SE)

1. Pushbar/Touchbar - Silver
2. Main and end casing covers - Silver
3. Upper, lower or side Pullman covers - Silver
4. Rods - Silver

## B Coloured powder coated

1. Pushbar/Touchbar - Choose from powder coated swatches
2. Main and end casing covers - Matt Black
3. Upper, lower or side Pullman covers - Matt Black
4. Rods - Matt Black



## C Simulated metallic finishes

1. Pushbar/Touchbar - Choose from metallic swatches
2. Main and end casing covers - Matt Black
3. Upper, lower or side Pullman covers - Matt Black
4. Rods - Matt Black

### simulated metallic finishes



satin stainless steel  
(SS)



polished stainless steel  
(PS)



polished brass  
(PB)

### powder coated finishes



silver  
(SE)



gold  
(GE)



brown bronze  
(BE)

### powder coated finishes to match Normbau colours



white 19  
NWH  
RAL-DS 000 95 00



manhattan 67  
NMG  
RAL-DS 080 70 05



dark grey 18  
NDG  
RAL-DS 000 35 00



black 16  
NBL  
RAL-DS 000 15 00



yellow 22  
NYY  
RAL-DS 080 80 90



green 13  
NGR  
RAL-DS 160 30 38



red 12  
NRE  
RAL-DS 030 30 45



slate blue 63  
NSB  
RAL-DS 240 50 15



dark blue 37  
NDB  
RAL-DS 270 20 25



blue 11  
NBU  
RAL-DS 270 30 40



dark red 35  
NDR  
RAL-DS 010 20 25



ivory 65  
NIV  
RAL-DS 090 85 10

Note: Due to the limitations of the printing process please check your choice of finish against actual product.

S - Special Colours may be subject to a longer delivery time



## Construction

### Pushbar Device

The main and end casings are constructed of steel components, mounted on a steel chassis and covered by a precision zinc die-cast cover.

The steel latchbolt is activated by a tubular steel bar.

### Touchbar Device

The main casing & rear bracket are constructed of steel components mounted on a steel chassis and are covered by a precision zinc die cast cover.

The steel latchbolt is activated by an extruded aluminium touchbar enclosed in an extruded aluminium channel.

### Locking Kits

The locking points are constructed of steel components mounted on a steel chassis incorporating a steel latchbolt. Connection to the pushbar or touchbar device is via steel all thread bars and are concealed by an extruded aluminium cover.

## Maintenance

Panic exit hardware plays a vital role in the buildings escape route, and it is important that these devices are inspected and maintained properly to ensure safety at all times.

As recommended in EN 1125 the following routine maintenance checks should be undertaken at intervals of not more than 1 month by the occupier or his approved representative:

- Inspect and operate the panic exit device to ensure all components are in satisfactory working condition
- Ensure that strikers are free from obstruction

## Fire/Smoke

Reference the Fire Precautions Act 1971, always consult the Local Fire Officer for their interpretation of the Act before finalising specification. Products within the Briton 560 and Briton 570 series have been included in successful fire tests to EN 1634.

## Fixing/Installation

These surface mounted devices come complete with step by step fixing instructions and fixing templates to ensure an easy and accurate installation.

The pushbar, touchbar and rod kits are easily cut to size on site, to suit doors up to 2500mm high by 1300mm wide.

The devices are supplied with non-standard tools for convenience, and adjustable strikers with packers to ensure continued optimum performance.

Fixing and maintenance instructions must be passed on to the user upon completion of installation.

## Technical Support

If you have any queries regarding Briton exit devices and product selection please call our technical support department who will be pleased to offer assistance on any aspect of our literature including queries on:

- Product selection
- Advice on installation
- Trouble shooting
- Ancillary products and spare parts.

For further details call the Technical Support team on FREEPHONE 0800 834102

## Special Applications

For special applications outside those mentioned in this brochure please contact technical support who will be able to advise and assist with product selection for non-standard installations.

## Supply & Quotations

The Briton 560 and Briton 570 series is available through a nationwide network of architectural ironmongers and builder's merchants. For your local stockist please contact the Customer Contact Centre on 08706 012 012 (calls may be recorded for training purposes).

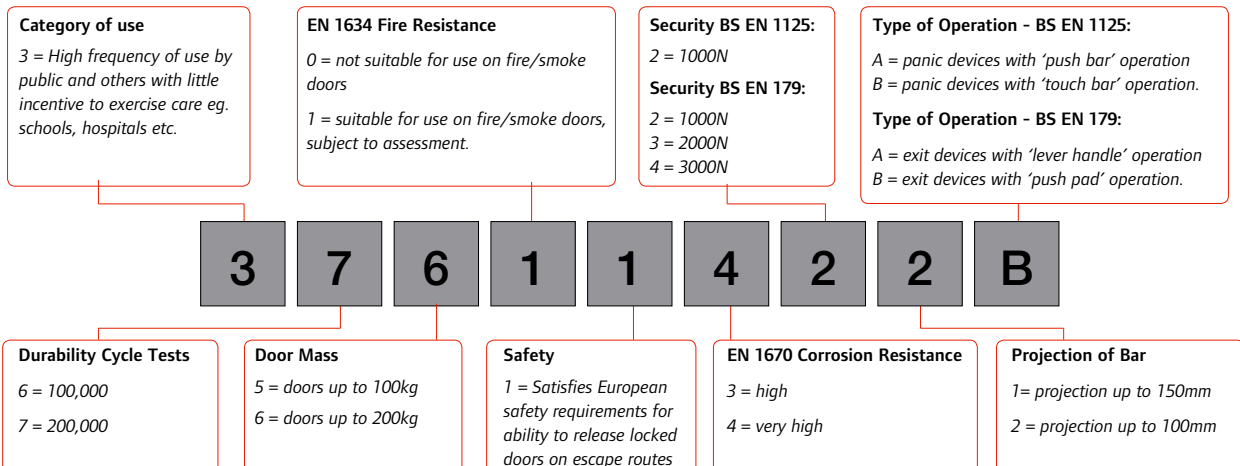


Other products to EN 1125 include the Briton 376E series of panic and emergency exit hardware. Please contact the Customer Contact Centre on 08706 012 012 for further details.



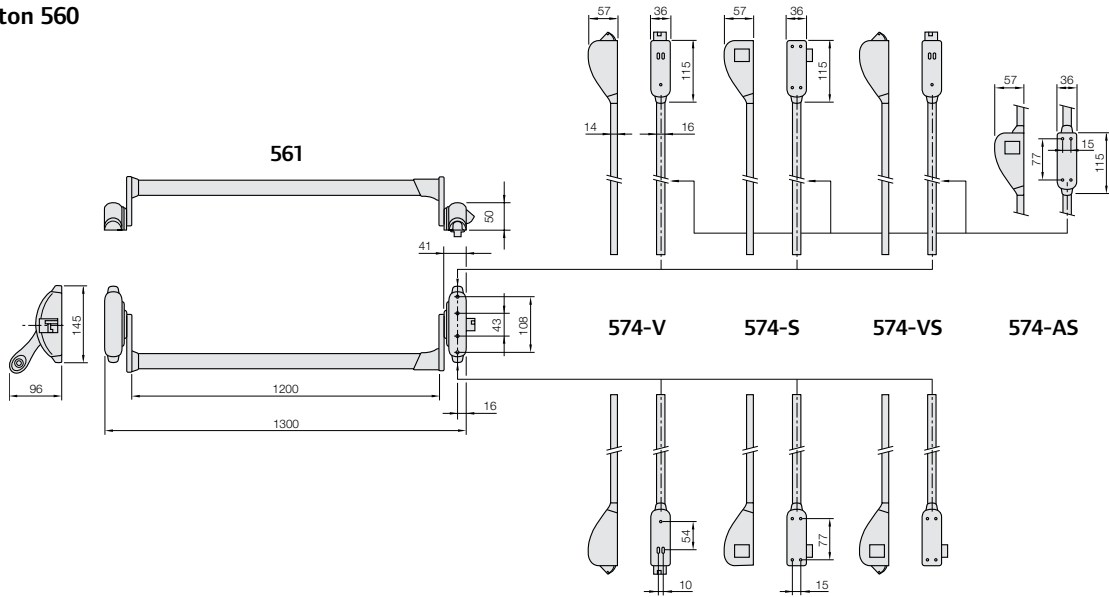
## A Guide To CE Marking

Briton exit devices with the CE mark will show the EN 1125 classification numbers (see below) and the test house logo on the product.

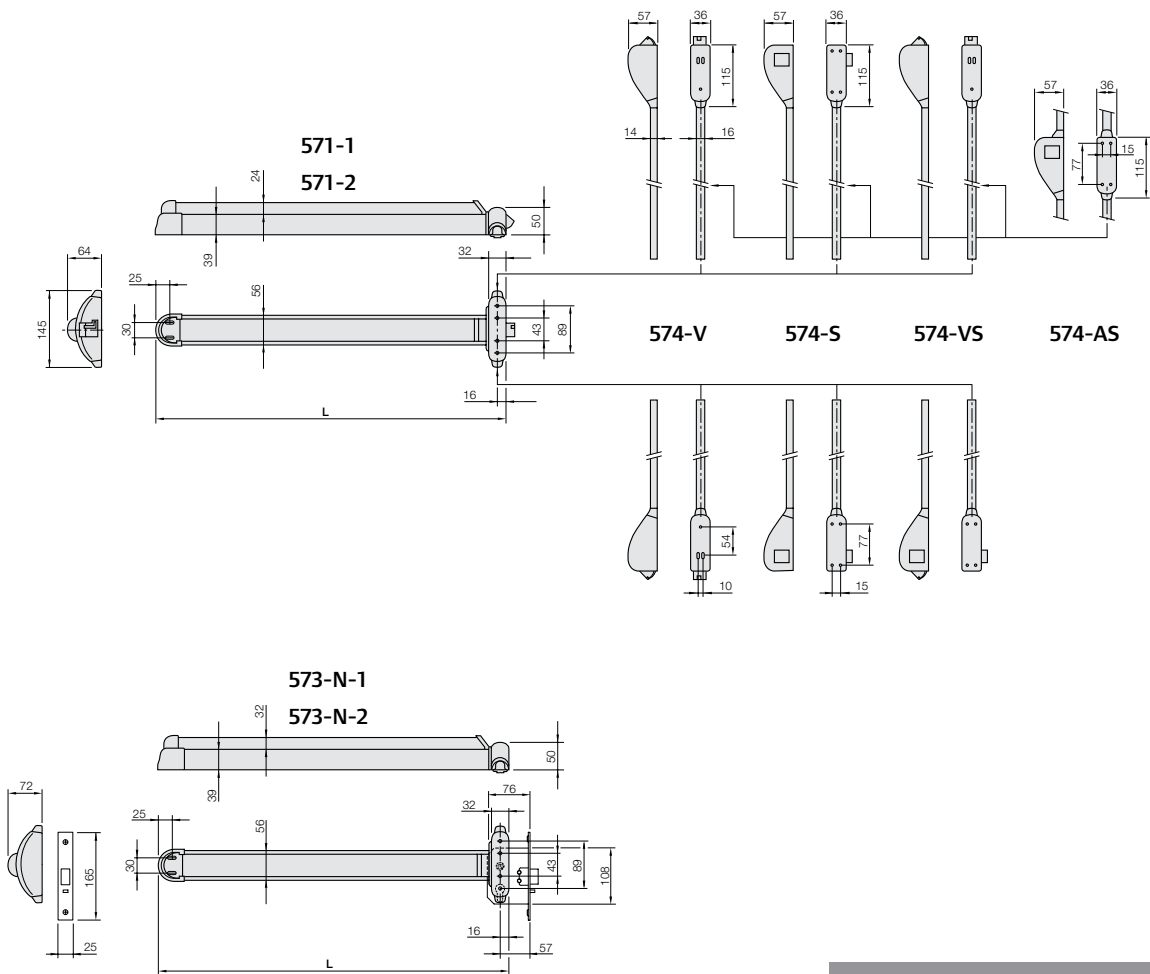


# Briton Dimensions

## Briton 560



## Briton 570



Key:  
 L= 1200mm or 840mm  
 Codes shown relate to modular products



*Ingersoll Rand Security Technologies is a leading global provider of products and services that make environments safe, secure and productive. The sector's market-leading products include electronic and biometric access control systems; time & attendance and personnel scheduling systems; mechanical locks and portable security; door controls, exit devices and architectural hardware; performance steel doorsets and automated openings; and other technologies and services for global security markets.*

Progress is greener with Ingersoll Rand

*In accordance with our Environmental policy, this brochure has been produced by a company accredited to ISO 14001 using a Carbon Neutral paper stock containing 50% post consumer waste and with a chain of custody certified to FSC approval.*



*Please recycle this brochure when you no longer need it.*

#### **Ingersoll Rand Security Technologies**

Bescot Crescent Walsall West Midlands WS1 4DL

Tel. 01922 707400 Fax. 01922 651965 Customer Care Centre Tel. 08706 012012 Customer Care Centre Fax. 0800 834103

Email [info@ingersollrand.co.uk](mailto:info@ingersollrand.co.uk) Web [security.ingersollrand.co.uk](http://security.ingersollrand.co.uk)

*Whilst Ingersoll Rand Security Technologies has taken every care to ensure the accuracy of information, data or advice contained in this literature, no liability in respect of such information or advice, whether given negligently or not, can be accepted by the company. Ingersoll Rand retains the right to amend the technical specification of any range of equipment shown without prior notice.*